

Technical characteristics

- Flow rates: from 8 to 25 l/h
- Max back pressure: up to 14 bar
- Power supply:
 - 100÷240 Vac - 50/60 Hz
- Stroke frequency: 300 strokes/minute
- Electronic stroke length regulation: from 30 to 100%
- Pump head:
 - PVDF
- Diaphragm: PTFE
- External Enclosure: PP reinforced with fiber glass
protection degree IP65
- Manually priming valve
- Installation kit: Included

Seko Maxima PLUS MRP Series is the evolution of Maxima EVO MPG model:

- constant flow rate manually adjustable
- proportional flow rate according to an external analogic (4-20 mA) or digital signal (water meter)
- management of the digital signal:
 - division mode ($1 \div 999 = n$)
 - multiplication mode ($n = 1 \div 999$)
- Pacing function adjustable by dip switch
- Timer function
- ppm proportional dosing
- Statistics
- Password
- Input On-Off (remote control)
- Moreover, this series presents AN INNOVATIVE AND EXCLUSIVE ELECTRONIC STROKE ADJUSTMENT. From 100 to 30% stroke length can be regulated simply pressing the appropriate buttons on the frontal panel.

With this pump, is possible to cover a flow rate range from 8 to 25 l/h and a back pressure from 0.1 to 14 bar. The power supply is 100÷240 Vac – 50/60 Hz therefore the same pump can operate with different supply voltage. The standard pump head is in PVDF, therefore high chemical compatibility with several liquids end. Maxima PLUS MRP series is equipped with a manually priming pump for the start up.

The pump is furnished with a complete standard installation kit, which includes: PVDF foot filter and injection valve, PVC suction tube, PE delivery tube.



DOSING PUMP

Maxima PLUS MRP SERIES- Solenoid dosing pump

PUMP KEY CODE

| | | | | | | | | | | | | | |
|-------|---|------------------------|-------------------|--------------|--|------------------|------------------|--|--|--|--|--|--|
| MRP | Digital dosing pump with constant flow rate manually adjustable, with proportional flow rate according to an external analog signal (4÷20 mA) or digital signal (water meter). functionality. Pacing function adjustable by dip switch. Timer function. ppm proportional dosing. Statistic. Password. Input ON-OFF (remote control). Electronic stroke length adjustment. | | | | | | | | | | | | |
| 2° | | Hydraulic | | | | | | | | | | | |
| Model | <i>Pressure [bar]</i> | <i>Flow rate [l/h]</i> | <i>Stroke/min</i> | | | <i>cc/stroke</i> | | | | | | | |
| 800 | 14 | 8 | 300 | | | 0,44 | | | | | | | |
| | 10 | 10 | | | | 0,55 | | | | | | | |
| | 5 | 15 | | | | 0,83 | | | | | | | |
| | 1 | 18 | | | | 1,00 | | | | | | | |
| 3° | | Stroke Regulation | | | | | | | | | | | |
| E | | Electronic | | | | | | | | | | | |
| 4° | | Power supply | | | | | | | | | | | |
| N | | 100÷240 Vac - 50/60 Hz | | | | | | | | | | | |
| 5° | | Liquid end | | | | | | | | | | | |
| | | <i>Pump head</i> | <i>Connection</i> | <i>Balls</i> | | | <i>Diaphragm</i> | | | | | | |
| H | | PVDF | PVDF | Ceramic | | | PTFE | | | | | | |
| 6° | | Installation kit | | | | | | | | | | | |
| H | | PVDF | | | | | | | | | | | |
| 7° | | Seals | | | | | | | | | | | |
| 0 | | FPM | | | | | | | | | | | |
| 1 | | EPDM | | | | | | | | | | | |
| 8° | | Market | | | | | | | | | | | |
| 0 | | Standard | | | | | | | | | | | |
| 9° | | RAL color | | | | | | | | | | | |
| | | Hydraulic | | | | | Electronic | | | | | | |
| B | | 5010 | | | | | 7004 | | | | | | |
| 10° | | Optional | | | | | | | | | | | |
| 0 | | Standard | | | | | | | | | | | |

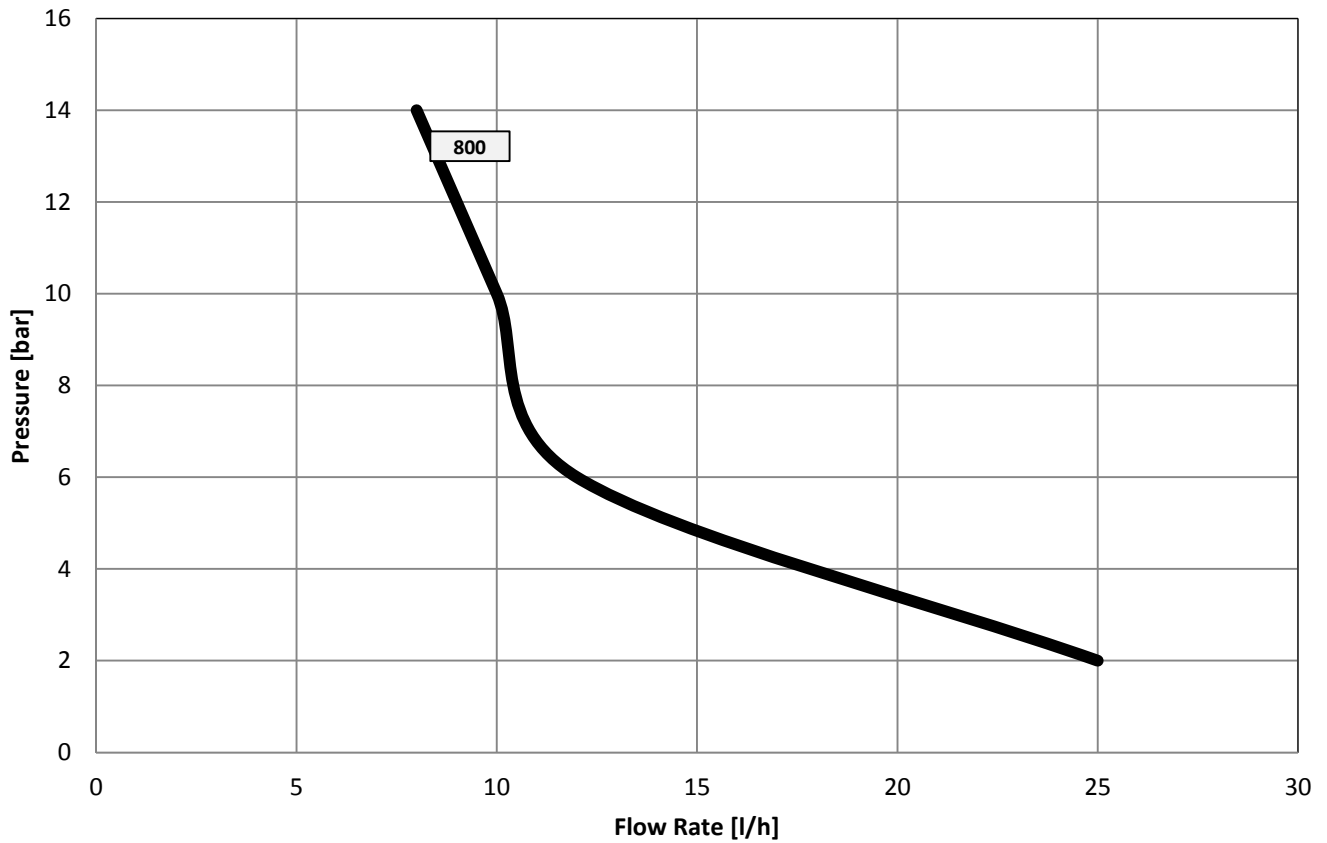
| | | | | | | | | | |
|-----|-----|---|---|---|---|---|---|---|---|
| MRP | 800 | E | N | H | H | 0 | 0 | B | 0 |
|-----|-----|---|---|---|---|---|---|---|---|

HYDRAULIC CHARACTERISTICS

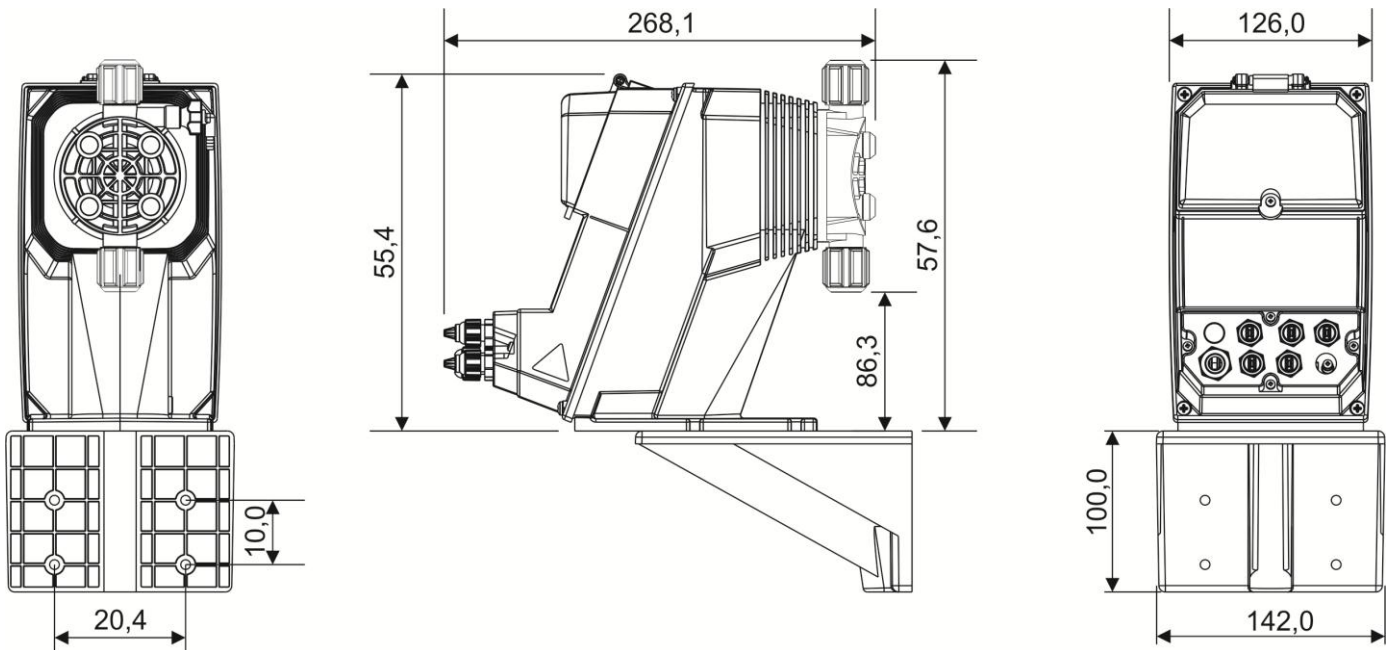
| Pump Model | Pressure [bar] | Flow Rate [l/h] | Frequency max [stroke/min] | Stroke capacity [cc/stroke] | Connection [mm] | | Power supply | Consumption [W] | |
|---------------|-------------------|--------------------|----------------------------------|-----------------------------------|--------------------|-----------|-----------------|-----------------|-----|
| | | | | | Suction | Discharge | | Min* | Max |
| MRP800 | 14 | 8 | 300 | 0,44 | 4/6 | 4/6 | 100±240 Vac | 15 | 26 |
| | 10 | 10 | | 0,56 | | | | | |
| | 6 | 12 | | 0,67 | | | | | |
| | 2 | 25 | | 1,39 | | | | | |

*Minimum consumption at 0 bar of backpressure (Patented)

MRP



DIMENSIONS



INSTALLATION KIT

- PVDF foot filter
- PVDF injection valve
- PVC suction tube (4 m)
- PE delivery tube (2 m)

WALL FIXING BRACKET AVAILABLE

